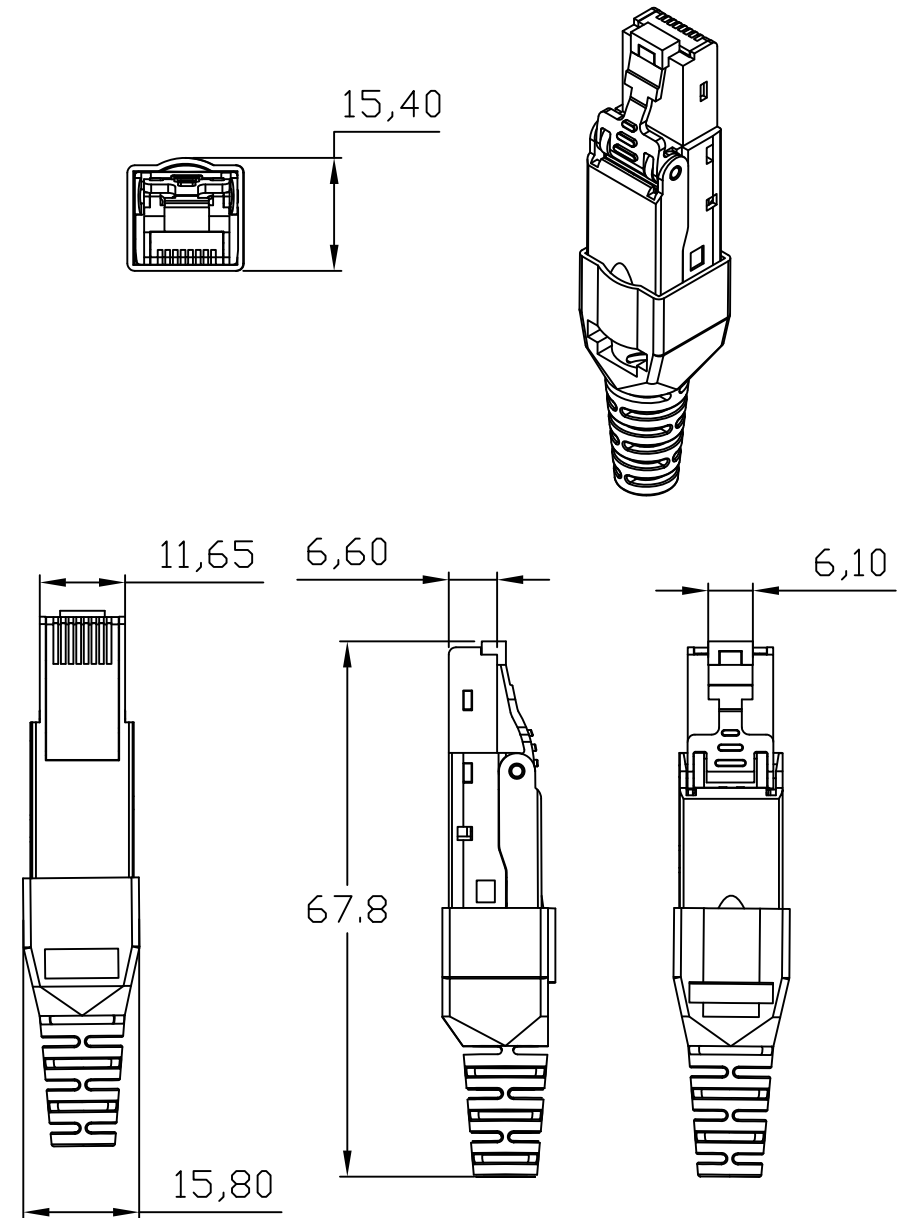


CAT6A Class Ea RJ45 plug to be assembled in the field

- FTP TYPE: 1 piece Design
 - Easy Assembly - easily terminated in the field in 2 minute without any special tools
 - WireConnection: Stranded wire AWG 26/7 to 22/7
 - WireConnection: Solid wire AWG 26/1 to 22/1
 - Transmission Characteristics: CAT6A per ISO/IEC 11801 Ed .2.2:2011-06
 - Compliance with class Ea to ISO/EIC11801 Ed.2.2.2011-06, DIN EN 50173-1:2011-09 10 GB it Suitable according to IEEE 802.3an
 - Suitable for Power over Ethernet(PoE, PoE plus, and UPoE)
 - Cable Jacket Diameter from 6 to 9.5 mm
 - Adjustable Strain Relief (6mm to 9.5mm Cable OD)
 - Load Bar for Faster and Easier Wire Pattern Termination
 - Reconnectable
-
- Operation temperature:-30°C to 60°C, Relative humidity: 85%(30°C), Air pressure: 70-106Kpa.
 - Gold Plated Phosphor Bronze Blade: phosphor bronze and gold plating , mating durability not less than 750 cycles ;
 - Anti-burn performance: product made from Kirsite \ PC or PCB, meeting the international standard
 - Intermediate resistance: no more than 20m ohm in normal atmosphere pressure (not including bulk resistor);
 - Insulated resistance: no less than 1,000M ohm in normal atmosphere pressure
 - Intensity of anti-current: DC 1,000V (AC,700V), no puncture and flash-over phenomenon in one minute ;
 - Retention strength: 7.7kg between jack and plug.
 - Label: clear label to ensure easy to management ;



APPROVED	CHECKED	DRAWN	CUSTOMER:	
			ITEM NO.	MD-106
			DRAW NO.	
			UNIT	mm
			SCALE	NONE

DESCRIPTION:
RJ45 CAT 6A TOOLLESS PLUG

