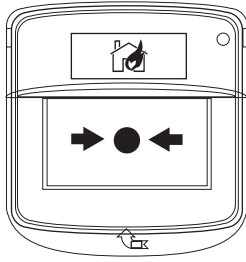


Fire Manual Call Point Installation Guide



1 Pre installation



Installation must conform to applicable local installation codes and should only be installed by a fully trained competent person.



The use of a non-metallic spacer should be considered if mounting the device on to a metal surface.



This device contains electronics that may be susceptible to damage from Electrostatic Discharge (ESD). Take appropriate precautions when handling electronic boards.

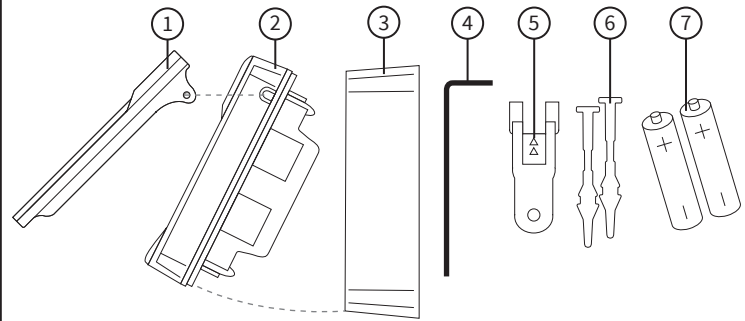


Fit the breakable tag after installation and testing of the device.



To ensure correct operation, products must be used within the specified environmental operating conditions.

2 Components

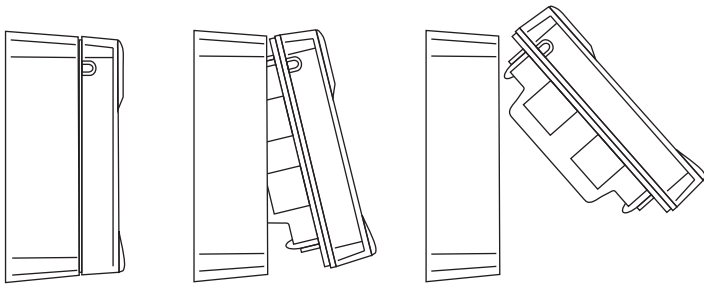


- ① Transparent cover
- ② Fire manual call point
- ③ Mounting plate
- ④ Allen key
- ⑤ Reset key
- ⑥ Breakable tags
- ⑦ Batteries (Not included in some regions*).

*When batteries are not supplied, only fit specified batteries.

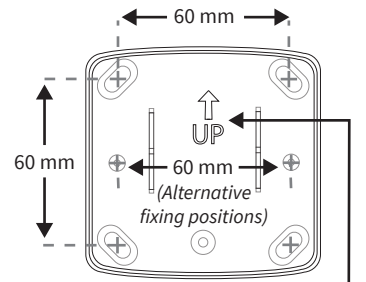
3 Remove mounting plate

- Carefully unclip the two sections, observing the hinged connection at the top of the device.



4 Fix mounting plate

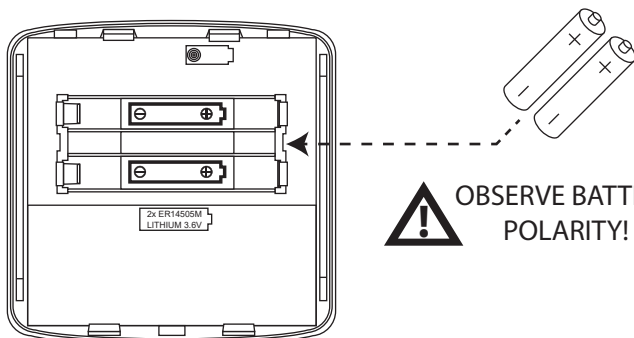
- When fixing to the wall, all four fixing positions must be used to ensure a firm fixing.
- 2x alternative fixing positions are also available for fixing to existing electrical mounting boxes
- Observe the orientation marking as shown.
- Use suitable fasteners and fixings.



OBSERVE ORIENTATION!

5 Fit batteries

- When fitting / replacing batteries, observe correct polarity, using only specified batteries.



6 Configuration

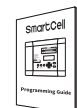
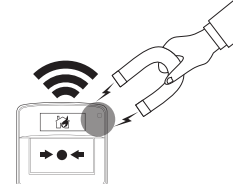
The device must now be added (programmed) to the control panel.

Method 1
Device powering

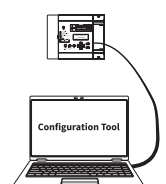


Refer to the programming manual for full programming details.

Method 2
Magnet application



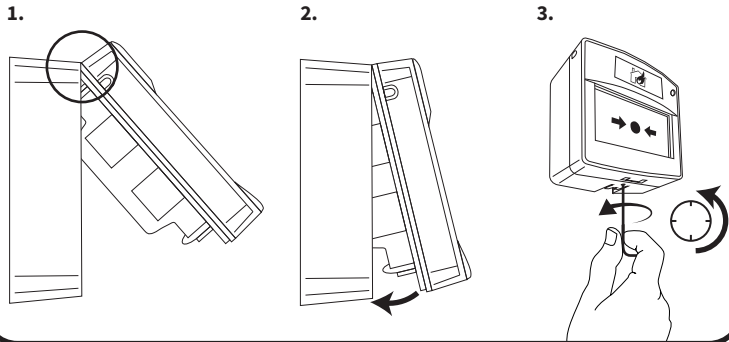
Method 3
Via computer



SmartCell panel = TSD155
SmartCell WZM = MK067

7 Completing the installation

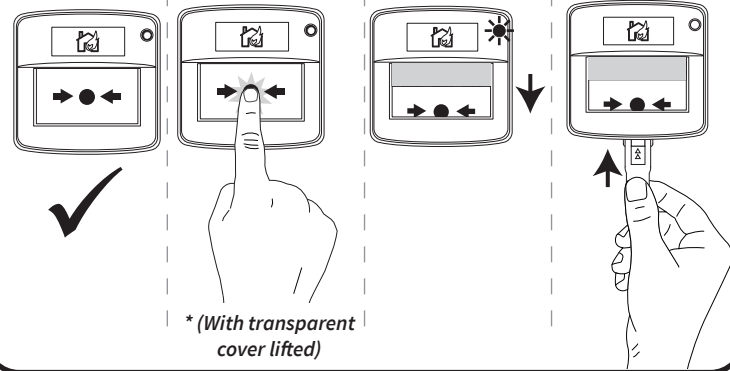
- Reassemble the unit, observing the hinged connection as shown.
- Lock the device, by turning the Allen key **ANTI-CLOCKWISE**, until the screw is flush with the casework.



8 Testing and resetting

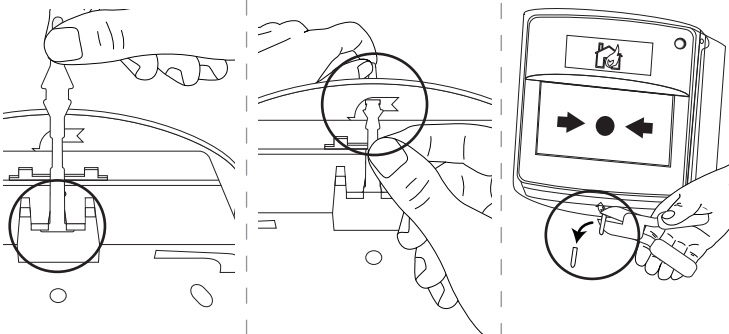
Test once added (programmed) to the system.

1. Normal state
2. Push to activate *
3. Alarm condition
4. Resetting



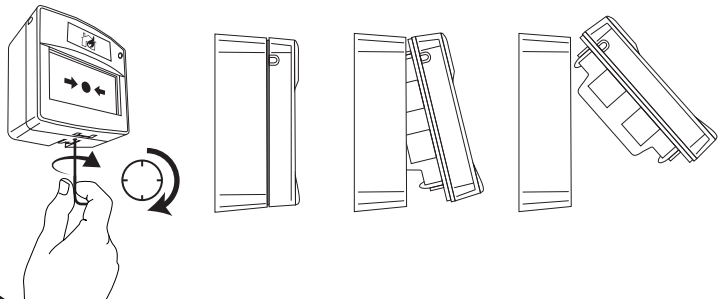
9 Optional breakable tag fitting

1. Locate the end of the tag under the retaining clip as shown
2. Pull the tag through the cavity, until the tag is secure
3. Carefully remove excess using cutters



Device unlocking

- If the device is locked, turn the Allen key **CLOCKWISE** to release the locking mechanism.
- Once unlocked, carefully unclip the two sections.



Specification

Operating temperature	-10 to +55 °C
Storage temperature	
With batteries	-10 to +30 °C
Without batteries	-10 to +55 °C
Humidity	0 to 95% noncondensing
Location	Type A: for indoor use
Supply	2 x ER14505M 3.6 V lithium thionyl chloride batteries (Fanso or Titus)

CAUTION!

- This is a life safety product. Only use manufacturer approved battery types. Failure to do so may result in damage to the product.
- DO NOT mix batteries of different type or age.
- When replacing batteries; remove all old batteries before fitting replacements.

Operating voltage	2.7 to 3.65 VDC ---
Operating frequency	868MHz
Output transmitter power	14 dBm / 25 mW
Signalling protocol	X5
Dimensions (W x H x D)	92 x 97 x 47 mm

Regulatory information

Manufacturer	Carrier Manufacturing Polska Sp. Z o.o. Ul. Kolejowa 24. 39-100 Ropczyce, Poland
Year of manufacture	See device serial number label
Certification	CE 19
Certification body	0905
CPR DoP	0359-CPR-00266
Approved to	EN54-11:2001. Incorporating amendment no. 1 and corrigendum no. 1. Fire detection and fire alarm systems. Part 11: manual call points. EN54-13:2005. Fire detection and fire alarm systems. Part 13: Compatibility assessment of system components. EN54-25:2008. Incorporating corrigenda September 2010 and march 2012. Fire detection and fire alarm systems. Part 25: components using radio links.
European Union directives	EMS declares that the radio equipment type SmartCell Fire Manual Call Point is in compliance with Directive 2014/53/EU. The full text of the EU declaration of conformity is available at the following internet address: www.mysmartcell.com



2012/19/EC (WEEE directive): Products marked with this symbol cannot be disposed of as unsorted municipal waste in the European Union. For proper recycling, return this product to your local supplier upon purchase of equivalent new equipment, or dispose of it at designated collection points. For more information see www.recyclethis.info
Dispose of your batteries in an environmentally friendly manner according to your local regulations.