

1200Mbps Wireless Indoor Mesh Wi-Fi With PoE Out



WI-AP717MP

Hardware Version: V2.0

Overview

WI-AP717MP is a Mesh Wi-Fi system designed to enlarge signal coverage to home, villas, and etc. For large home, simply add a Mesh Node to the system for expanded Wi-Fi coverage. Coming with Wi-Fi standard 802.11ac, WI-AP717MP provide wireless speed of up to 1200Mbps. Additionally, it supports one 802.3bt PoE input port and 802.3af/at PoE output port, making network deployment more flexible. In the meanwhile, supporting MU-MIMO technology, WI-AP717MP provides faster wireless speed and ensures more stable connection to the client terminal at the same time. WI-AP717MP can realize automatic network organization and routing selection, which creates more flexible and efficient wireless network.

Features

MU-MIMO Technology

Adopting MU-MIMO technology, WI-AP717MP can provide faster wireless speed of up to 1200Mbps and enable more access to the multiple devices at the same time, enhancing the users' online experiences.

EasyMesh Technology

(Note: Easymesh devices can be networked only with devices that support Easymesh standard).

With EasyMesh technology, WI-AP717MP can realize quick connections with multiple access points to enlarge network coverage. Besides, it also realizes network self-healing if one of the nodes fails.

802.3bt PoE Input and 802.3af/at PoE Output

WI-AP717MP supports 802.3bt PoE power Input via one RJ45 cable, making network deployment easier and more flexible. Besides, it also supports 802.3af/at PoE output, saving the layout space and the installation cost.

Wi-Tek Cloud APP Management

Wi-Tek Cloud APP's quick installation and configuration provide reliable performance, visual management, and real-time monitoring, enhancing the efficiency of device management.

Specifications



Model	WI-AP71 7MP
Hardware Version	V2.0
Hardware Features	
Memory	RAM:128MB Flash:16MB
Interface	WAN: 1*10/100/1000Mbps RJ45 Port LAN: 2*10/100/1000Mbps PoE RJ45 Port 1*Reset Button (long press for 8 seconds to restore the factory default configuration)
Power Supply	802.3bt (Maximum: 60W)
PoE Output	802.3af/at
Max. Power Consumption	11W
Wireless Features	
Standards	IEEE 802.11a/b/g/n/ac
Data Rates	2.4GHz: up to 300Mbps 5GHz: up to 867Mbps
MIMO	2.4GHz: 2x2 MIMO 5GHz:2x2 MIMO
Antenna	2.4GHz: 5dBi 5GHz: 5dBi
Frequency	2.4GHz ~ 2.484 GHz 5.150GHz ~ 5.825GHz *Please follow national regulations to select the appropriate frequency.
Channel Width	2.4GHz: 20/40MHz 5GHz: 20/40/80MHz
Max. TX power	2.4GHz: 20dBm 5GHz: 20dBm



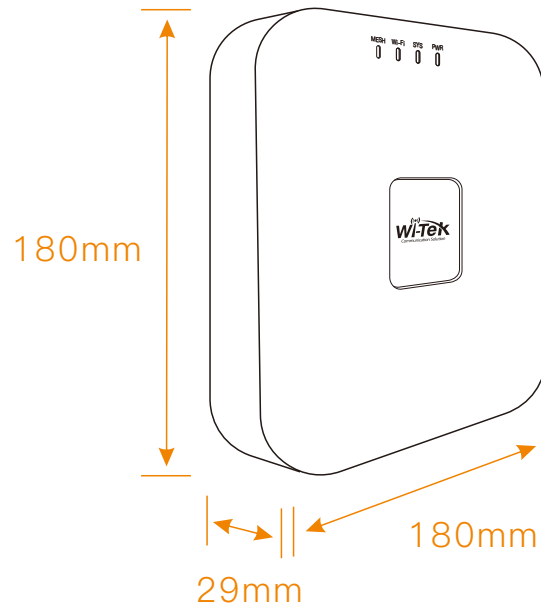
Model	WI-AP717MP
Receiver Sensitivity	<p>2.4GHz:</p> <p>802.11b: $-90\pm 1.5\text{dBm}@1\text{Mbps}$ $-84\pm 1.5\text{dBm}@11\text{Mbps}$</p> <p>802.11g: $-86\pm 1.5\text{dBm}@6\text{Mbps}$ $-69\pm 1.5\text{dBm}@54\text{Mbps}$</p> <p>802.11n 20MHz: $-85\pm 1.5\text{dBm}@\text{MCS0}$ $-67\pm 1.5\text{dBm}@\text{MCS7}$</p> <p>802.11n 40MHz: $-82\pm 1.5\text{dBm}@\text{MCS0}$ $-64\pm 1.5\text{dBm}@\text{MCS7}$</p> <p>5GHz:</p> <p>802.11a : $-86\pm 1.5\text{dBm}@6\text{Mbps}$ $-69\pm 1.5\text{dBm}@54\text{Mbps}$</p> <p>802.11n 20MHz: $-85\pm 1.5\text{dBm}@\text{MCS0}$ $-67\pm 1.5\text{dBm}@\text{MCS7}$</p> <p>802.11n 40MHz: $-82\pm 1.5\text{dBm}@\text{MCS0}$ $-64\pm 1.5\text{dBm}@\text{MCS7}$</p> <p>802.11ac 20MHz: $-84\pm 1.5\text{dBm}@\text{MCS0}$ $-59\pm 1.5\text{dBm}@\text{MCS8}$</p> <p>802.11ac 40MHz: $-82\pm 1.5\text{dBm}@\text{MCS0}$ $-56\pm 1.5\text{dBm}@\text{MCS9}$</p> <p>802.11ac 80MHz: $-78\pm 1.5\text{dBm}@\text{MCS0}$ $-52\pm 1.5\text{dBm}@\text{MCS9}$</p>
Software Features	
Operating Mode	Router Mode
WAN Type	Dynamic IP, Static IP, PPPoE
Protocols	IPv4, IPv6
DHCP	DHCP Server, DHCP Pool, DHCP, DHCP Lease, DNS Server, Host List
Routing	Routing Table, ARP Table
Wireless	<p>Enable/disable SSID, Hide SSID, Wi-Fi Isolate</p> <p>Multiple SSID, Wireless Statistics</p> <p>Wi-Fi Schedule, Wi-Fi Multimedia (WMM)</p>
Radio	<p>Region Adjustment</p> <p>Channel Adjustment</p> <p>Bandwidth Adjustment</p> <p>Tx Power Adjustment</p> <p>Weak Signal Threshold Setting</p>
Wireless Security	<p>WPA-PSK(TKIP), WPA2-PSK(TKIP,CCMP), WPA2-PSK(CCMP),</p> <p>WPA2/PA3-PSK(CCMP,SAE), WPA3-PSK(SAE), WPA-Enterprise, WPA2-Enterprise</p>



Model	WI-AP71 7MP
Mesh	EasyMesh
Port Forwarding	Port Mapping, DMZ, UPnP
Access Control	Source/Destination IP Based Access Control, Wireless Blacklist/Whitelist
Advanced Applications	SD-LAN
System	<p>Scheduled Reboot</p> <p>Ping Watchdog</p> <p>Diagnostics : Ping, Traceroute</p> <p>Restore & Backup</p> <p>Firmware update via Web</p> <p>NTP</p>
Management	<p>Support local management with web</p> <p>Support remote management with Wi-Tek Cloud platform and APP</p>
Others	
Certification	CE, FCC, RoHS, UKCA, RCM
Product Dimension	180*180*29mm
Package Dimension	325*154*50mm
Product Weight	0.28 kg
Package Weight	0.88 kg
Environment	<p>Operating Temperature: -10°C~45°C(14°F~113°F)</p> <p>Storage Temperature: -20°C~70°C(-4°F~158°F)</p> <p>Operating Humidity: 5%~95% (non-condensing)</p> <p>Storage Humidity: 5%~95% (non-condensing)</p>

WI-AP717MP

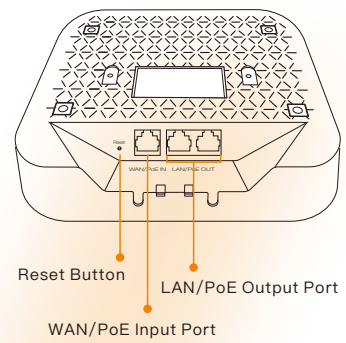
Dimensions (mm)



Front Panel



Side Panel



Package Contents

Welcome to order our products. After purchasing, you will receive:

Items	Quantity
Mesh Wi-Fi	1 pcs
Quick Installation Guide	1 pcs
Mounting Accessories	1 pcs
Ethernet Cable	1 pcs
48V/60W Power Adapter	1 pcs
AC Power Cord	1 pcs



Wireless-Tek Technology Limited
 Address: Building 3, Units 1801-1807, 1812, Huaqiang Era Plaza, Tangwei Community, Fuhai Street, Bao'an District, Shenzhen City, Guangdong Province, China.
 Website: www.wireless-tek.com
 Tel: 86-0755-32811290
 Email: sales@wireless-tek.com
 Technical Support: tech@wireless-tek.com



Technical Support



Cloud Management



Company Website